



NOTIFIER[®]
by Honeywell

9 Columbia Way
Baulkham Hills, NSW 2153
PH 02-9894-1444 • FAX 02-9894-4193
www.notifier.com

IFS-2600 Power Supply Upgrade Product Installation Document

12/06/09

Rev: **1.01**

P/N DOC-03-020 ECN09-050

1 Product Overview

The IFS-2600 power supply upgrade kit (ASY-01-016) allows for an additional 2.6A (@ 27V) auxiliary power output from the CIE via the remote PSU output. This power supply is fully monitored and battery-backed by the panel.

2 Installation



WARNING: Remove power from the panel remembering that there may be more than one source of power.



NOTE: This power supply upgrade should only be used on systems containing a DA-30 or IFS-2008 gas release module where the IFS-2600 PSU (IFS-2006) has had ECN09-034 fitted.

2.1 Mounting

1. Using two M3 Sems Philips screws fasten the PBC-70 power supply to the cabinet directly above main power supply transformer as shown in figure 1

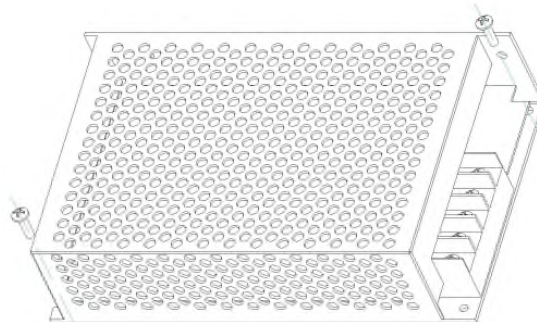


Figure 1

2.2 Connections

1. Connect the 24v and 0v output of the PBC-70 to the remote power supply input terminals of the IFS-2600 termination board (PCB-2005) using the red and black connection wires provided.
2. Re-ensure the 240v mains is switched **OFF** and isolated at the switch board.
3. Connect the Live (L) and Neutral (N) 240V inputs of the PBC-70 power supply to the Live and Neutral terminals on the mains switch of the IFS-2600 using the double insulated cables provided.
4. Restore mains power to the IFS-2600.
5. Using a multimeter check output voltage at the (-V) and (+V) terminals of the PBC-70 is 27.3 volts. If adjustment is required turn (VADJ) adjustment pot until 27.3 volts is achieved.
6. Remove power from the panel.
7. After removing PCB fixing screw next to terminals on PBC-70, using the M3 x 25 screw attach terminal cover to PBC-70 protecting users from accidental contact with 240v terminals.

8. Connect ancillary load to 24v and 0v remote output terminals of the IFS-2600 termination board.
9. Restore mains and battery power to the IFS-2600.

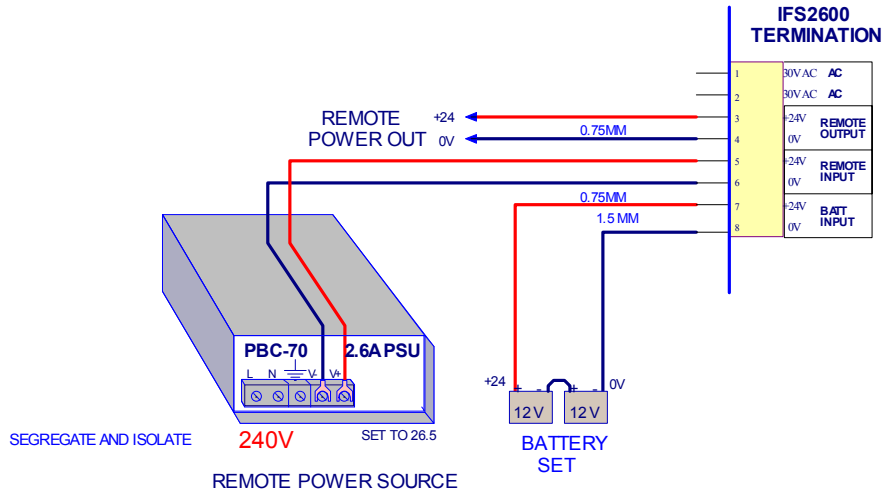


Figure 2

3 Components

The IFS-2600 power supply upgrade kit (ASY-01-016) is supplied with the components outlined in Table 1.

Part No.	Description	Qty
11708	PBC-70 – 2.6A 24V power supply (non-battery backed)	1
2316	M3 x 8W6 Sems Philips screws	2
GEN-00-001	Terminal cover to suit PBC-70 power supply	1
880	M3 x 25 Philip screw	1
-	600mm connection wire for 24v (red)	1
-	600mm connection wire for 0v (black)	1
-	400mm double-insulated connection wire for 240V – live (Brown)	1
-	400mm double-insulated connection wire for 240V – neutral (Blue)	1
-	400mm connection wire for Earth (Green/Yellow)	1
DOC-03-020	IFS-2600 Power Supply Upgrade Product Installation Document (this document)	1

Table 1: Components

4 Supplemental Documentation

For information on...	Refer to...	Part No.
IFS-2600	IFS-2600 operators manual	10784
	IFS-2600 technical programming and installation manual	10069

Table 2: Supplemental Documentation