



NOTIFIER[®]
by Honeywell

9 Columbia Way
Baulkham Hills
PH 02-9899-4155 • FAX 02-9899-4156
www.notifier.com.au

(ASY-01-035) Battery Connection Pack Product Installation Document

17/01/2012 Rev: 1.00

DOC-03-046 ECN12-0088

1. Product Overview

The Battery Connection Pack is used to connect batteries to Notifier Fire Panels. Cables for connecting the batteries to the panel are provided with the panel.

2. Installation



WARNING: Installation of the batteries should be performed by competent persons in accordance with the relevant standards.



WARNING: Notifier Fire Panels are designed to have two 12V batteries connected in series to provide 24V to the panel.

Never connect more than two batteries in series to the panel, as this may cause damage to the panel or the batteries.

Do not connect only one battery to the panel as this may cause damage to the panel or the battery.

2.1. Bolt Terminal Battery Connection

For batteries with a bolt terminal, connect the batteries using the adaptor cables in Figure 1.

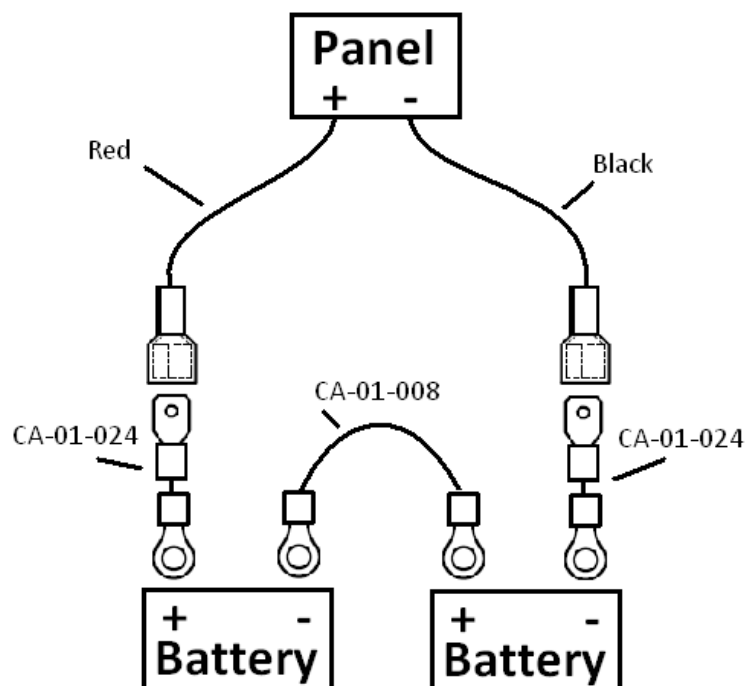


Figure 1 - Bolt Terminal Battery Connection with Adaptor Cables

2.1. Spade Terminal Battery Connection

For batteries with a spade terminal, connect the batteries as shown in Figure 2.

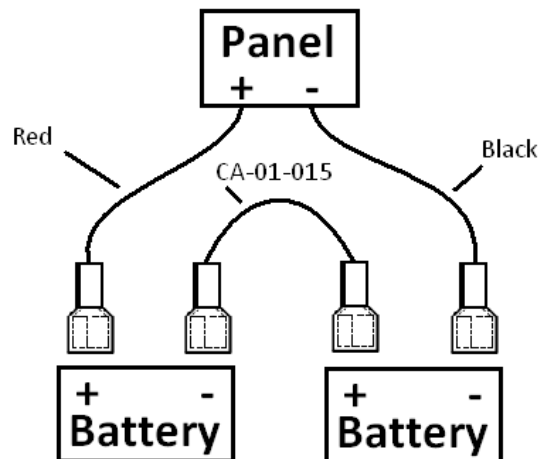


Figure 2 - Spade Terminal Battery Connection

2.2. Connecting Multiple Batteries to Expand Battery Capacity



WARNING: Never connect more than two batteries in series with each other. This will expose the panel to a higher voltage than what it is designed for and may damage the panel or the batteries.



NOTE: When connecting two pairs of batteries together, all four batteries must be the same size, from the same manufacturer and the same age.

When connecting multiple batteries to the panel in order to expand the battery capacity, each battery pair must be connected in parallel as shown in Figure 3.

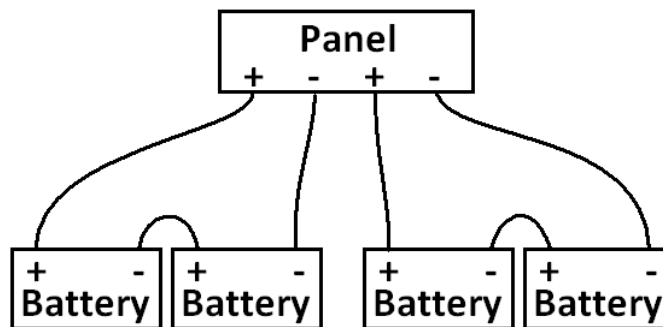


Figure 3 - Connection two Pairs of Batteries in Parallel

Use the connection described in Sections 2.1 or 2.1 depending on what the battery terminal is.

3. Components

Part No.	Description	Qty
CA-01-024	Battery Adaptor Cable, Male Spade Terminal to Ring Terminal	2
CA-01-008	Battery Link Cable with Ring Terminals	1
CA-01-015	Battery Link Cable with Spade Terminals	1
DOC-03-046	Battery Connection Pack Product installation Document (This Document)	1